

Needle Cases



**V-15.05** = 50 x 25 x 4,5 mm  
**V-15.08** = 65 x 42 x 8 mm  
**V-15.06** = 75 x 25 x 4,5 mm



**V-16.05** = 50 x 25 x 4,5 mm  
**V-16.08** = 65 x 42 x 8 mm  
**V-16.06** = 75 x 25 x 4,5 mm

Trays



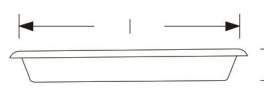
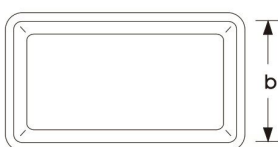
**V-05.63**  
 235 x 190 x 40 mm



complete	insert only
<b>V-19.65</b>	<b>V-19.70</b>
Ø = 65 mm	Ø = 62 mm
h = 15 mm	h = 13 mm



**V-05.82**  
 Ø 200 x 70 mm



	l	b	h
<b>V-04.20</b>	200	150	38
<b>V-04.25</b>	250	200	50
<b>V-04.30</b>	300	250	50
<b>V-04.35</b>	355	305	50
<b>V-04.40</b>	405	305	50



**V-04.20- V-04.40**

Forceps Jars



Size in mm Ø X h	Jar without lid	Jar with lid
30 x 90	<b>V-15.30</b>	<b>V-15.54</b>
50 x 100	<b>V-15.50</b>	<b>V-15.55</b>
50 x 130	<b>V-15.51</b>	<b>V-15.56</b>
50 x 175	<b>V-15.52</b>	<b>V-15.57</b>
75 x 100	<b>V-15.75</b>	<b>V-15.80</b>
75 x 130	<b>V-15.76</b>	<b>V-15.81</b>
75 x 175	<b>V-15.77</b>	<b>V-15.82</b>
100 x 175	<b>V-15.98</b>	<b>V-15.88</b>
100 x 200	<b>V-15.99</b>	<b>V-15.89</b>

Instrument Box



**V-20.20**  
205 x 105 x 40 mm

Kidney Trays



Size in mm  
l x b x h

170 x 100 x 35	<b>V-10.17</b>	17 cm/ 6 3/4"
250 x 140 x 40	<b>V-10.25</b>	25 cm/ 10"
275 x 150 x 45	<b>V-10.27</b>	27 cm/ 10 3/4"

Instrument Boxes



Size in mm		
L	w	h
165 x	85 x	35
200 x	100 x	35
200 x	100 x	50
230 x	130 x	50
260 x	150 x	50
<hr/>		
270 x	235 x	50
300 x	200 x	50
325 x	275 x	30
325 x	275 x	50
420 x	80 x	40
<hr/>		
420 x	175 x	50

Cotton Dispensers



**Methot**  
**V-35.01**      **V-35.02**  
ø50 x 75 mm  
With lid      Without lid



**Spirit Lamp**  
**V-19-1505**  
120 cc

Cotton wool containers



Size in mm	Lid with knob
ø X h	
75 x 60	<b>V-08.07</b>
75 x 75	<b>V-08.08</b>
100 x 60	<b>V-08.10</b>
100 x 100	<b>V-08.11</b>
125 x 80	<b>V-08.12</b>
125 x 125	<b>V-08.13</b>
150 x 100	<b>V-08.14</b>
150 x 150	<b>V-08.15</b>
200 x 100	<b>V-08.20</b>
200 x 150	<b>V-08.21</b>
200 x 200	<b>V-08.22</b>
240 x 160	<b>V-08.24</b>
240 x 230	<b>V-08.25</b>
290 x 160	<b>V-08.29</b>
290 x 240	<b>V-08.30</b>

Sterilization Drums



Schimmelbusch  
(Horizontal Ventilation)

Ø	h	
140 x 140 mm		V-25.14
160 x 150 mm		V-25.16
190 x 160 mm		V-25.19
190 x 190 mm		V-25.20
240 x 120 mm		V-25.24
240 x 160 mm		V-25.25
240 x 240 mm		V-25.27
290 x 160 mm		V-25.29
290 x 240 mm		V-25.30
340 x 160 mm		V-25.34
340 x 240 mm		V-25.35
390 x 140 mm		V-25.39
390 x 190 mm		V-25.40
390 x 290 mm		V-25.41



Konrich  
(Vertical Ventilation)

Ø	h	
140 x 140 mm		V-26.14
160 x 150 mm		V-26.16
190 x 160 mm		V-26.19
190 x 190 mm		V-26.20
240 x 120 mm		V-26.24
240 x 160 mm		V-26.25
240 x 240 mm		V-26.27
290 x 160 mm		V-26.29
290 x 240 mm		V-26.30
340 x 160 mm		V-26.34
340 x 240 mm		V-26.35
390 x 140 mm		V-26.39
390 x 190 mm		V-26.40
390 x 290 mm		V-26.41



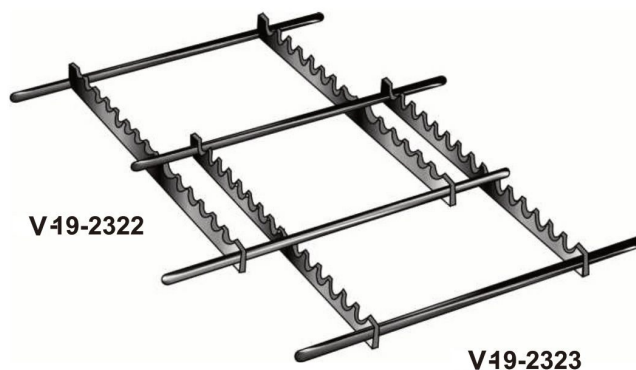
Norm Trays

**V-19-2101 - V-19-2104**  
288 x 187 x 40 mm

**V-19-2201 - V-19-2204**  
288 x 93 x 40 mm

	Tablet	Lid	
<b>V49-2101</b>	Perforated	Unperforated	<b>V49-2201</b>
<b>V49-2102</b>	Unperforated	Unperforated	<b>V49-2202</b>
<b>V49-2103</b>	Perforated	Perforated	<b>V49-2203</b>
<b>V49-2104</b>	Unperforated	Perforated	<b>V49-2204</b>

Inserts for Trays



**V49-2323**

