

- 2 mm ○ **V-10.62**
- 3 mm ○ **V-10.63**
- 4 mm ○ **V-10.64**
- 5 mm ○ **V-10.65**
- 6 mm ○ **V-10.66**
- 7 mm ○ **V-10.67**
- 8 mm ○ **V-10.68**



Keys
V-10.62-
V-10.68



Farrell Ø 0.9 mm
V-16.12 12 cm/ 4 ¾"
V-16.14 14 cm/ 5 ½"
V-16.16 16 cm/ 6 ¼"



Bowmann
V-94.00
Set of 4
V-94.01 Fig 1+2
V-94.03 Fig 3+4
V-94.05 Fig 5+6
V-94.07 Fig 7+8



Ø 1.5 mm	Ø 2 mm	
V-01.10	V-02.10	11 cm/ 4 ¼"
V-01.13	V-02.13	13 cm/ 5"
V-01.14	V-02.14	14 cm/ 5 ½"
V-01.16	V-02.16	16 cm/ 6 ¼"



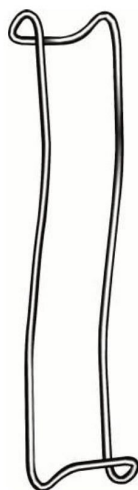
Luniatchek
V-30.19
 19 cm/7 ½"



Luniatchek
V-30.20
 19 cm/7 ½"



Sternberg
V-03.15
 14 cm/5 ½"



Sternberg
V-03.16
 16 cm/6 ¼"



Bruenings
V-05.18
 19 cm/7 ½"



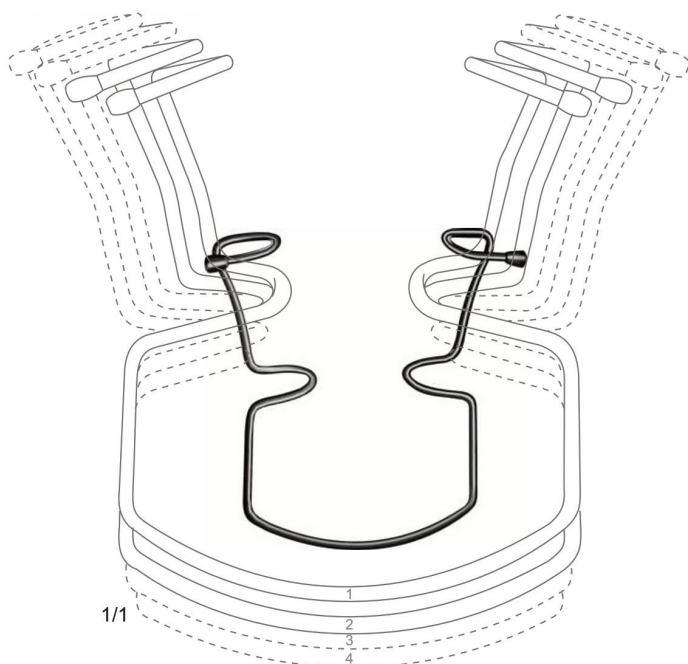
V-03.16
 Wood
 16 cm/ 6 ¼"



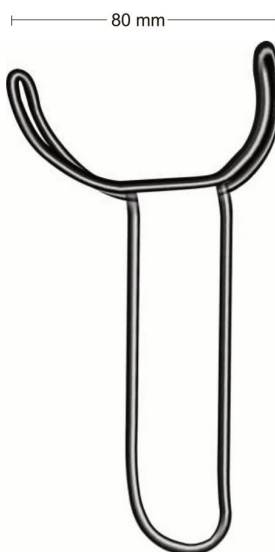
Kroenig
V-03.14
 15 cm/6"



Mayo
V-04.17
 17 cm/6 ¼"



Oringer
V-01.00 Fig.1
V-01.02 Fig.2
V-01.03 Fig.3
V-01.04 Fig.4
V-01.13 Set of 4



Vestibulum-Haken
V-01.15
15cm/ 6"



Heister
V-05.05
13 cm/ 5"



Molt
V-07.15
15cm/6"



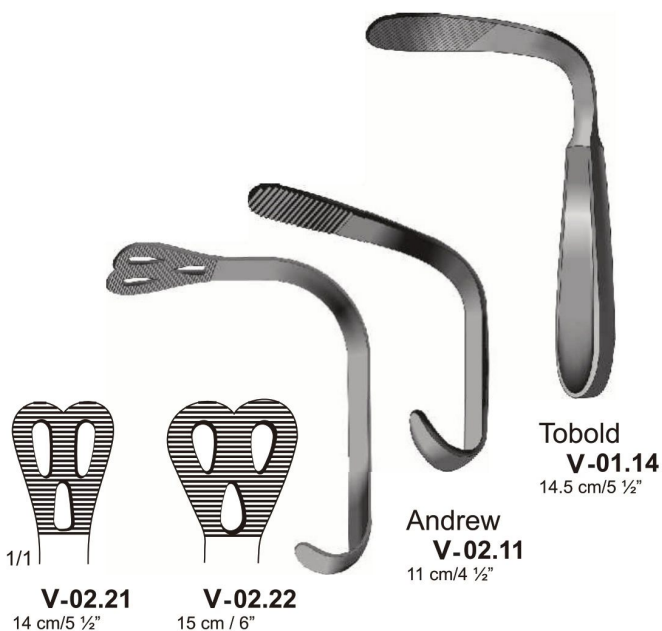
Jennings
V-09.09 9 cm/ 3 1/2"
V-09.11 11 cm/ 4 1/4"
V-09.13 13 cm/ 5"
V-09.15 15 cm/ 6"



Roser-Konig
V-13.45 16 cm/6 1/4"
V-13.50 20 cm/7 1/2"



Denhart
V-14.60
13 cm/5"



Wieder V-02.21- V-02.22

